

Features

- Reliable, proven design with high flows
- Small poppet valves for tight shutoff
- Wide range of elastomers for specialty service
- Mountable in any position
- Brass and stainless steel constructions

Construction

Valve Parts in Contact with Fluids		
Body	Brass	303/304 Stainless Steel
Seals and Discs	NBR or Cast UR	
Core Tube	305 Stainless Steel	
Core and Plugnut	430F Stainless Steel	
Springs	302 Stainless Steel	
Shading Coil	Copper	Silver
Stem	PA (Normally Open)	

Note: All 1/8" NPT Normally Open valves contain CA. All 1/4" NPT Normally Open valves contain PA.

Electrical

Standard Coil and Class of Insulation	Watt Rating and Power Consumption				Spare Coil Part No.			
	DC Watts	AC			General Purpose		Explosionproof	
		Watts	VA Holding	VA Inrush	AC	DC	AC	DC
F	10.6	6.1	16	30	238210	238310	238214	238314
F	-	9.1	20	45	238210	-	238214	-
F	11.6	10.1	25	50	238610	238710	238614	238714
F	22.6	17.1	40	70	238610	238710	238614	238714

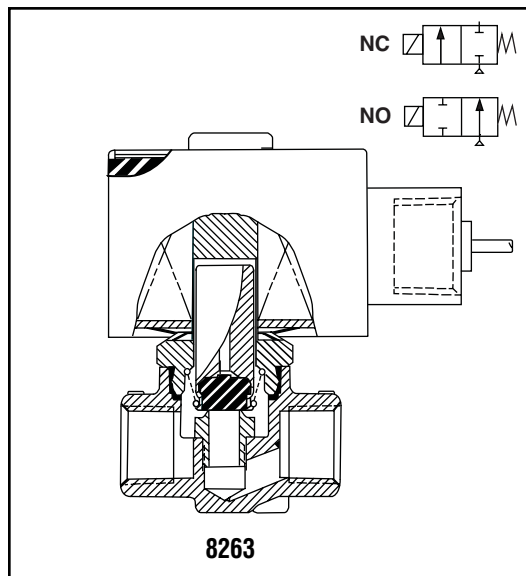
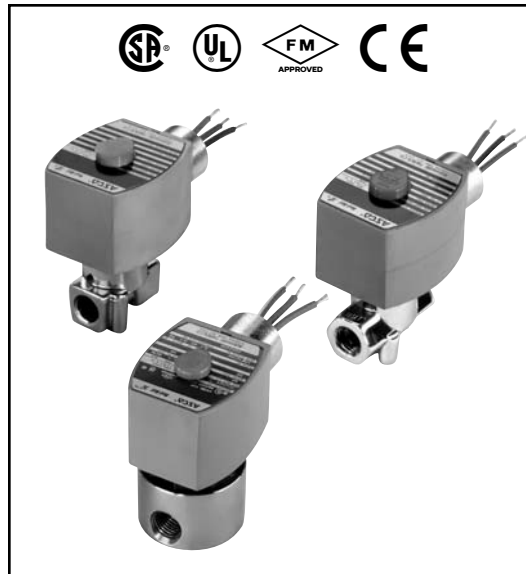
Standard Voltages: 24, 120, 240, 480 volts AC, 60 Hz (or 110, 220 volts AC, 50 Hz).
6, 12, 24, 120, 240 volts DC. Must be specified when ordering.
Other voltages available when required.

Solenoid Enclosures

Standard: Watertight, Types 1, 2, 3, 3S, 4, and 4X.

Optional: Explosionproof and Watertight, Types 3, 3S, 4, 4X, 6, 6P, 7, and 9.
(To order, add prefix "EF" to catalog number)

See *Optional Features Section* for other available options.



Nominal Ambient Temp. Ranges

AC: 32°F to 125°F (0°C to 52°C)

DC: 32°F to 104°F (0°C to 40°C)

Refer to *Engineering Section* for details.

Approvals

CSA certified. UL listed, as indicated. Normally Closed Valves FM approved. Meets applicable CE directives.

Refer to *Engineering Section* for details.

Specifications (English units)

Pipe Size (ins.)	Orifice Size (ins.)	Cv Flow Factor	Operating Pressure Differential (psi)						Max. Fluid Temp. °F		Brass Body			Stainless Steel Body			Watt Rating/ Class of Coil Insulation ②	
			Max. AC			Max. DC												
			Air-Inert Gas	Water	Lt. Oil @ 300 SSU	Air-Inert Gas	Water	Lt. Oil @ 300 SSU	AC	DC	Catalog Number	Const. Ref.	UL ③ Listing	Catalog Number	Const. Ref.	UL ③ Listing	AC	DC
NORMALLY CLOSED (Closed when de-energized), NBR Disc																		
1/8	3/64	.06	750	750	530	650	640	550	180	120	8262G001	1	○	8262G012	1	○	6.1/F	10.6/F
1/8	3/32	.20	275	290	130	150	140	145	180	120	8262G014	1	○	8262G015	1	○	6.1/F	10.6/F
1/8	1/8	.34	155	180	140	80	80	80	180	120	8262G002	1	○	8262G006	1	○	6.1/F	10.6/F
1/4	3/64	.06	750	750	500	500	500	500	180	120	8262G019	16	○	8262G080	11	○	6.1/F	10.6/F
1/4	3/64	.06	1500	1500	1100	475	475	450	140	140	8262G200 ①	17	●	-	-	-	10.1/F	11.6/F
1/4	3/64	.06	2200	2000	1100	-	-	-	140	140	-	-	-	8262G214 ①	12	●	10.1/F	-
1/4	3/32	.17	360	340	160	150	125	125	180	120	8262G020	16	○	8262G086	11	○	6.1/F	10.6/F
1/4	3/32	.17	500	500	280	-	-	-	180	-	8262G021	16	○	-	-	-	9.1/F	-
1/4	1/8	.35	140	165	90	65	60	60	180	120	8262G022	16	○	8262G007	11	○	6.1/F	10.6/F
1/4	1/8	.35	300	300	200	75	70	70	180	150	8262G232	17	○	-	-	-	10.1/F	11.6/F
1/4	5/32	.50	180	200	145	40	40	45	180	150	8262G202	4	○	8262G220	12	○	10.1/F	11.6/F
1/4	7/32	.72	90	100	100	25	25	25	180	150	8262G208	4	○	8262G226	12	○	10.1/F	11.6/F
1/4	7/32	.85	40	50	40	17	20	21	180	120	8262G013	2	○	8262G036	11	○	6.1/F	10.6/F
1/4	9/32	.88	60	75	60	18	15	18	180	150	8262G210	4	○	-	-	-	10.1/F	11.6/F
1/4	9/32	.88	90	100	90	25	20	22	180	150	8262G212	6	○	8262G230	13	○	17.1/F	22.6/F
1/4	9/32	.96	27	36	28	15	16	16	180	120	8262G090	2	○	8262G038	11	○	6.1/F	10.6/F
3/8	1/8	.35	160	150	90	65	60	60	180	120	8263G002	3	○	8263G330	3	○	6.1/F	10.6/F
3/8	5/32	.52	100	100	100	35	35	35	180	150	8263G200	5	○	8263G331	5	○	10.1/F	11.6/F
3/8	7/32	.72	100	100	100	25	25	25	180	150	8263G206	5	○	8263G332	5	○	17.1/F	11.6/F
3/8	9/32	.85	100	100	70	-	-	-	180	-	8263G210	7	○	8263G333	7	○	17.1/F	-
NORMALLY OPEN (Open when de-energized), NBR Disc (except where noted)																		
1/8	1/16	.09	500	300	225	400	250	150	180	120	8262G091	8	●	8262G092	8	●	6.1/F	10.6/F
1/8	3/32	.15	275	200	150	190	110	110	180	120	8262G093	8	●	8262G094	8	●	6.1/F	10.6/F
1/8	1/8	.21	125	100	85	80	60	50	180	120	8262G031	8	●	8262G035	8	●	6.1/F	10.6/F
1/4	3/64	.06	750	700	700	500	500	500	140	140	8262G260 ①	9	●	8262G130 ①	14	●	10.1/F	11.6/F
1/4	3/32	.17	300	250	230	200	150	125	140	140	8262G261 ①	9	●	8262G134 ①	14	●	10.1/F	11.6/F
1/4	1/8	.35	130	110	100	80	60	60	180	150	8262G262	9	●	8262G138	14	●	10.1/F	11.6/F
1/4	5/32	.49	85	75	60	45	30	30	180	150	8262G263	4	●	8262G142	14	●	10.1/F	11.6/F
1/4	7/32	.83	45	45	40	25	20	20	180	150	8262G264	4	●	8262G148	14	●	10.1/F	11.6/F
1/4	9/32	.96	30	25	20	15	15	15	180	150	8262G265	4	●	8262G152	14	●	10.1/F	11.6/F

① Cast UR disc supplied as standard.
 ② On 50 hertz service, the rating for the 6.1/F solenoid is 8.1 watts.
 ③ ○ Safety Shutoff Valve; ● General Purpose Valve. Refer to Engineering Section (Approvals) for details.

Specifications (Metric units)

Pipe Size (ins.)	Orifice Size (mm)	Kv Flow Factor (m ³ /h)	Operating Pressure Differential (bar)						Max. Fluid Temp. °C		Brass Body			Stainless Steel Body			Watt Rating/ Class of Coil Insulation ②	
			Max. AC			Max. DC			AC	DC	Catalog Number	Const. Ref.	UL ③	Catalog Number	Const. Ref.	UL ③	AC	DC
			Air-Inert Gas	Water	Lt. Oil @ 300 SSU	Air-Inert Gas	Water	Lt. Oil @ 300 SSU										
NORMALLY CLOSED (Closed when de-energized), NBR Disc																		
1/8	1.2	.05	52	52	37	45	44	38	82	49	8262G001	1	○	8262G012	1	○	6.1/F	10.6/F
1/8	2.4	.17	19	20	9	10	10	10	82	49	8262G014	1	○	8262G015	1	○	6.1/F	10.6/F
1/8	3.2	.29	11	12	10	6	6	6	82	49	8262G002	1	○	8262G006	1	○	6.1/F	10.6/F
1/4	1.2	.05	52	52	34	34	34	34	82	49	8262G019	16	○	8262G080	11	○	6.1/F	10.6/F
1/4	1.2	.05	103	103	76	33	33	31	60	60	8262G200 ①	17	●	-	-	-	10.1/F	11.6/F
1/4	1.2	.05	152	138	76	-	-	-	60	60	-	-	-	8262G214 ①	12	●	10.1/F	-
1/4	2.4	.15	25	23	11	10	9	9	82	49	8262G020	16	○	8262G086	11	○	6.1/F	10.6/F
1/4	2.4	.15	34	34	19	-	-	-	82	-	8262G021	16	○	-	-	-	9.1/F	-
1/4	3.2	.30	10	11	6	4	4	4	82	49	8262G022	16	○	8262G007	11	○	6.1/F	10.6/F
1/4	3.2	.30	21	21	14	5	5	5	82	65	8262G232	17	○	-	-	-	10.1/F	11.6/F
1/4	4.0	.43	12	14	10	3	3	3	82	65	8262G202	4	○	8262G220	12	○	10.1/F	11.6/F
1/4	5.6	.62	6	7	7	2	2	2	82	65	8262G208	4	○	8262G226	12	○	10.1/F	11.6/F
1/4	5.6	.73	3	3	3	1	1	1	82	49	8262G013	2	○	8262G036	11	○	6.1/F	10.6/F
1/4	7.1	.75	4	5	4	1	1	1	82	65	8262G210	4	○	-	-	-	10.1/F	11.6/F
1/4	7.1	.75	6	7	6	2	1	2	82	65	8262G212	6	○	8262G230	13	○	17.1/F	22.6/F
1/4	7.1	.82	2	2	2	1	1	1	82	49	8262G090	2	○	8262G038	11	○	6.1/F	10.6/F
3/8	3.3	.30	11	10	6	4	4	4	82	49	8263G002	3	○	8263G330	3	○	6.1/F	10.6/F
3/8	4.0	.45	7	7	7	2	2	2	82	65	8263G200	5	○	8263G331	5	○	10.1/F	11.6/F
3/8	5.6	.62	7	7	7	2	2	2	82	65	8263G206	5	○	8263G332	5	○	17.1/F	11.6/F
3/8	7.1	.73	7	7	5	-	-	-	82	-	8263G210	7	○	8263G333	7	○	17.1/F	-
NORMALLY OPEN (Open when de-energized), NBR Disc (except where noted)																		
1/8	1.6	.08	34	21	16	28	17	10	82	49	8262G091	8	●	8262G092	8	●	6.1/F	10.6/F
1/8	2.4	.13	19	14	10	13	8	8	82	49	8262G093	8	●	8262G094	8	●	6.1/F	10.6/F
1/8	3.2	.18	9	7	6	6	4	3	82	49	8262G031	8	●	8262G035	8	●	6.1/F	10.6/F
1/4	1.2	.05	52	48	48	34	34	34	60	60	8262G260 ①	9	●	8262G130 ①	14	●	10.1/F	11.6/F
1/4	2.4	.15	21	17	16	14	10	9	60	60	8262G261 ①	9	●	8262G134 ①	14	●	10.1/F	11.6/F
1/4	3.2	.30	9	8	7	6	4	4	82	65	8262G262	9	●	8262G138	14	●	10.1/F	11.6/F
1/4	4.0	.42	6	5	4	3	2	2	82	65	8262G263	4	●	8262G142	14	●	10.1/F	11.6/F
1/4	5.6	.71	3	3	3	2	1	1	82	65	8262G264	4	●	8262G148	14	●	10.1/F	11.6/F
1/4	7.1	.82	2	2	1	1	1	1	82	65	8262G265	4	●	8262G152	14	●	10.1/F	11.6/F

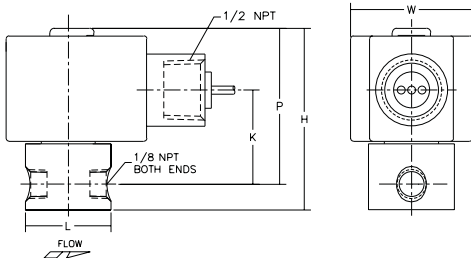
① Cast UR disc supplied as standard.
 ② On 50 hertz service, the rating for the 6.1/F solenoid is 8.1 watts.
 ③ ○ Safety Shutoff Valve; ● General Purpose Valve. Refer to Engineering Section (Approvals) for details.

Dimensions: inches (mm)

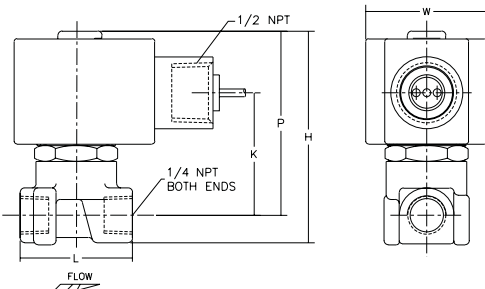
Const. Ref.		H	K	L	P	W
1	ins.	2.52	1.30	1.19	2.16	1.69
	mm	64	33	30	55	43
2	ins.	2.98	1.71	1.56	2.57	1.69
	mm	76	43	40	65	43
3	ins.	3.07	1.63	1.88	2.49	1.69
	mm	78	41	48	63	43
4	ins.	3.20	1.78	1.56	2.79	1.95
	mm	81	45	40	71	50
5	ins.	3.25	1.70	2.00	2.77	1.95
	mm	83	43	51	70	50
6	ins.	3.16	1.78	1.56	2.75	1.95
	mm	80	45	40	70	50
7	ins.	3.25	1.70	2.00	2.67	1.95
	mm	83	43	51	68	50
8	ins.	3.15	1.32	1.19	2.18	1.69
	mm	80	34	30	55	43
9	ins.	3.23	1.67	1.25	2.81	1.95
	mm	82	42	32	71	50
11	ins.	2.94	1.71	1.56	2.57	1.69
	mm	75	43	40	65	43
12	ins.	3.12	1.78	1.56	2.75	1.95
	mm	79	45	40	70	50
13	ins.	3.12	1.78	1.56	2.75	1.95
	mm	79	45	40	70	50
14	ins.	3.16	1.65	1.56	2.79	1.95
	mm	80	42	40	71	50
16	ins.	3.01	1.73	1.25	2.59	1.69
	mm	76	44	32	66	43
17	ins.	3.19	1.80	1.25	2.77	1.95
	mm	81	46	32	70	50

IMPORTANT: Valves may be mounted in any position.

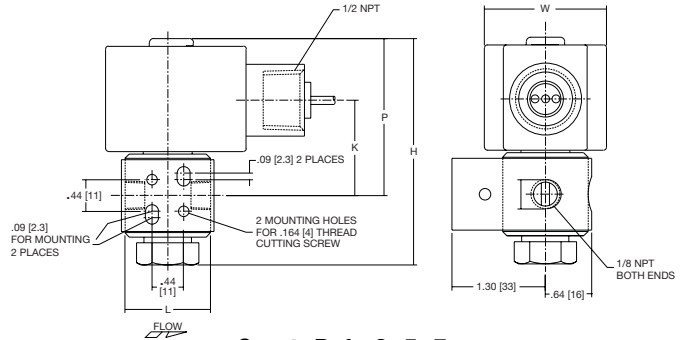
Const. Ref. 1



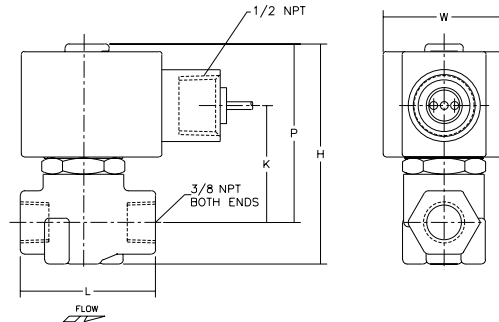
Const. Ref. 2, 4, 6, 9



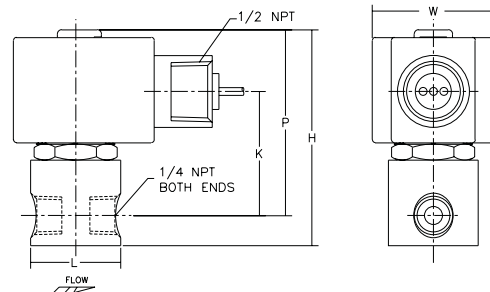
Const. Refs. 8



Const. Ref. 3, 5, 7

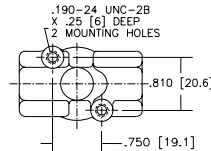


Const. Ref. 11-14, 16, 17

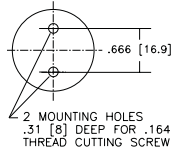


Mounting Details

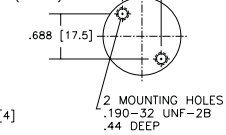
MOUNTING HOLES IN VALVE BODY
BRASS-CONST. REFS. 3, 5, 7
.190-24 UNC-2B
X .25 [6] DEEP
2 MOUNTING HOLES



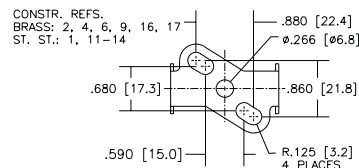
CONST. REF. 9, 16, 17



CONST. REF. 1 (BRASS)



MOUNTING BRACKET



Features

- Reliable, proven design with high flows
- Small poppet valves for tight shutoff
- Wide range of elastomers for specialty service
- Mountable in any position
- Brass and stainless steel constructions

Construction

Valve Parts in Contact with Fluids		
Body	Brass	303/304 Stainless Steel
Seals and Discs	NBR or Cast UR	
Core Tube	305 Stainless Steel	
Core and Plugnut	430F Stainless Steel	
Springs	302 Stainless Steel	
Shading Coil	Copper	Silver
Stem	CA / PA	

Electrical

Standard Coil and Class of Insulation	Watt Rating and Power Consumption				Spare Coil Part No.			
	DC Watts	AC			General Purpose		Explosionproof	
		Watts	VA Holding	VA Inrush	AC	DC	AC	DC
F	10.6	6.1	16	30	238210	238310	238214	238314
F	11.6	10.1	25	50	238610	238710	238614	238714

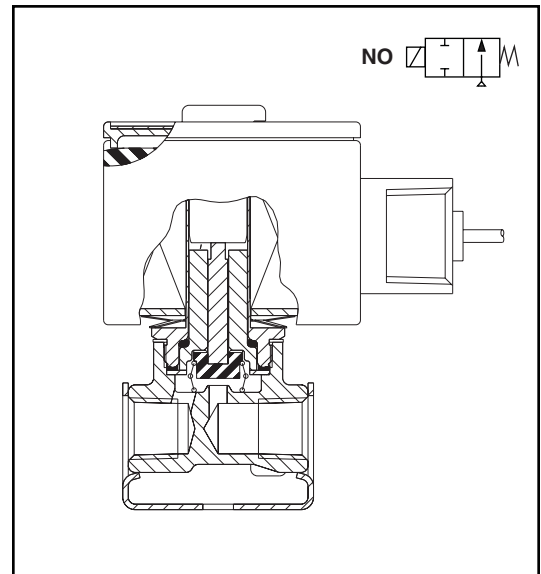
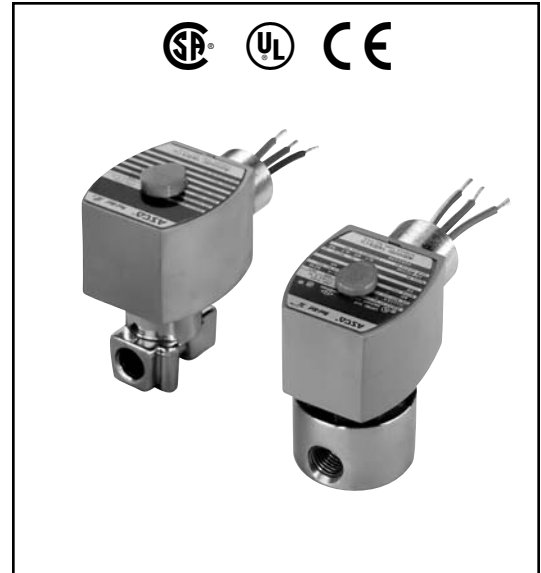
Standard Voltages: 24, 120, 240, 480 volts AC, 60 Hz (or 110, 220 volts AC, 50 Hz).
 6, 12, 24, 120, 240 volts DC. Must be specified when ordering.
 Other voltages available when required.

Solenoid Enclosures

Standard: Watertight, Types 1, 2, 3, 3S, 4, and 4X.

Optional: Explosionproof and Watertight, Types 3, 3S, 4, 4X, 6, 6P, 7, and 9.
 (To order, add prefix "EF" to catalog number)

See *Optional Features Section* for other available options.



Nominal Ambient Temp. Ranges

AC: 32°F to 125°F (0°C to 52°C)

DC: 32°F to 104°F (0°C to 40°C)

Refer to *Engineering Section* for details.

Approvals

CSA certified. UL listed, as indicated.

Meets applicable CE directives.

Refer to *Engineering Section* for details.

Specifications (English units)

Pipe Size (ins.)	Orifice Size (ins.)	Cv Flow Factor	Operating Pressure Differential (psi)						Max. Fluid Temp. °F		Brass Body			Stainless Steel Body			Watt Rating/ Class of Coil Insulation ②	
			Max. AC			Max. DC												
			Air-Inert Gas	Water	Lt. Oil @ 300 SSU	Air-Inert Gas	Water	Lt. Oil @ 300 SSU	AC	DC	Catalog Number	Const. Ref.	UL ③ Listing	Catalog Number	Const. Ref.	UL ③ Listing	AC	DC
NORMALLY OPEN (Open when de-energized), NBR Disc (except where noted)																		
1/8	1/16	.09	500	300	225	400	250	150	180	120	8262G091	2	●	8262G092	2	●	6.1/F	10.6/F
1/8	3/32	.15	275	200	150	190	110	110	180	120	8262G093	2	●	8262G094	2	●	6.1/F	10.6/F
1/8	1/8	.21	125	100	85	80	60	50	180	120	8262G031	2	●	8262G035	2	●	6.1/F	10.6/F
1/4	3/64	.06	750	700	700	500	500	500	140	140	8262G260 ①	3	●	8262G130 ①	4	●	10.1/F	11.6/F
1/4	3/32	.17	300	250	230	200	150	125	140	140	8262G261 ①	3	●	8262G134 ①	4	●	10.1/F	11.6/F
1/4	1/8	.35	130	110	100	80	60	60	180	150	8262G262	3	●	8262G138	4	●	10.1/F	11.6/F
1/4	5/32	.49	85	75	60	45	30	30	180	150	8262G263	1	●	8262G142	4	●	10.1/F	11.6/F
1/4	7/32	.83	45	45	40	25	20	20	180	150	8262G264	1	●	8262G148	4	●	10.1/F	11.6/F
1/4	9/32	.96	30	25	20	15	15	15	180	150	8262G265	1	●	8262G152	4	●	10.1/F	11.6/F

① Cast UR disc supplied as standard.
 ② On 50 hertz service, the rating for the 6.1/F solenoid is 8.1 watts.
 ③ ○ Safety Shutoff Valve; ● General Purpose Valve. Refer to Engineering Section (Approvals) for details.

Specifications (Metric units)

Pipe Size (ins.)	Orifice Size (mm)	Kv Flow Factor (m ³ /h)	Operating Pressure Differential (bar)						Max. Fluid Temp. °C		Brass Body			Stainless Steel Body			Watt Rating/ Class of Coil Insulation ②	
			Max. AC			Max. DC					Catalog Number	Const. Ref.	UL ③	Catalog Number	Const. Ref.	UL ③		
			Air-Inert Gas	Water	Lt. Oil @ 300 SSU	Air-Inert Gas	Water	Lt. Oil @ 300 SSU	AC	DC							AC	DC
NORMALLY OPEN (Open when de-energized), NBR Disc (except where noted)																		
1/8	1.6	.08	34	21	16	28	17	10	82	49	8262G091	2	●	8262G092	2	●	6.1/F	10.6/F
1/8	2.4	.13	19	14	10	13	8	8	82	49	8262G093	2	●	8262G094	2	●	6.1/F	10.6/F
1/8	3.2	.18	9	7	6	6	4	3	82	49	8262G031	2	●	8262G035	2	●	6.1/F	10.6/F
1/4	1.2	.05	52	48	48	34	34	34	60	60	8262G260 ①	3	●	8262G130 ①	4	●	10.1/F	11.6/F
1/4	2.4	.15	21	17	16	14	10	9	60	60	8262G261 ①	3	●	8262G134 ①	4	●	10.1/F	11.6/F
1/4	3.2	.30	9	8	7	6	4	4	82	65	8262G262	3	●	8262G138	4	●	10.1/F	11.6/F
1/4	4.0	.42	6	5	4	3	2	2	82	65	8262G263	1	●	8262G142	4	●	10.1/F	11.6/F
1/4	5.6	.71	3	3	3	2	1	1	82	65	8262G264	1	●	8262G148	4	●	10.1/F	11.6/F
1/4	7.1	.82	2	2	1	1	1	1	82	65	8262G265	1	●	8262G152	4	●	10.1/F	11.6/F

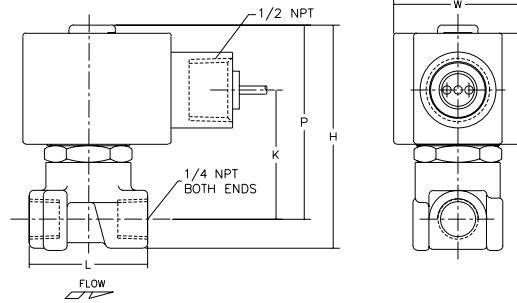
① Cast UR disc supplied as standard.
 ② On 50 hertz service, the rating for the 6.1/F solenoid is 8.1 watts.
 ③ ○ Safety Shutoff Valve; ● General Purpose Valve. Refer to Engineering Section (Approvals) for details.

Dimensions: inches (mm)

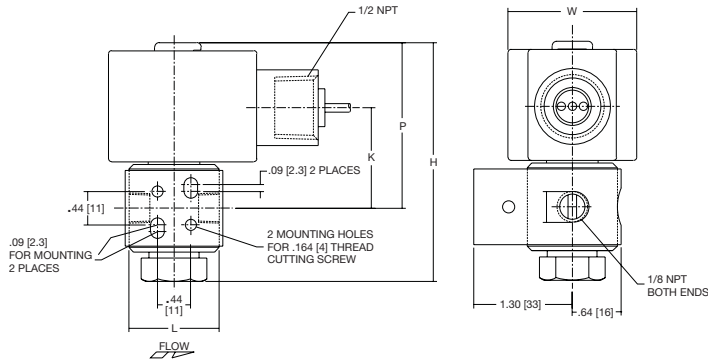
Const. Ref.		H	K	L	P	W
1	ins.	3.20	1.78	1.56	2.79	1.95
	mm	81	45	40	71	50
2	ins.	3.15	1.32	1.19	2.18	1.69
	mm	80	34	30	55	43
3	ins.	3.23	1.67	1.25	2.81	1.95
	mm	82	42	32	71	50
4	ins.	3.16	1.65	1.56	2.79	1.95
	mm	80	42	40	71	50

IMPORTANT: Valves may be mounted in any position.

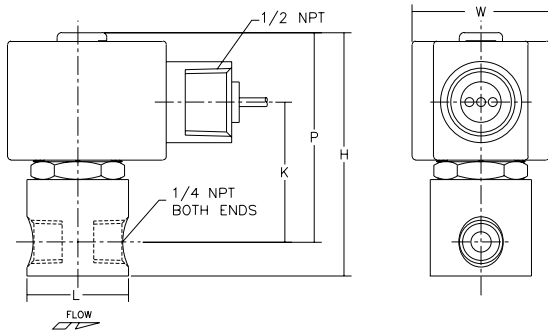
Const. Ref. 1, 3



Const. Refs. 2



Const. Ref. 4



Mounting Details

