

### FEATURES

- Stainless steel filter/regulator intended for use in potentially explosive atmospheres caused by gases, vapours, mists and/or dust according to: (ATEX directive 94/9/EC).
- SAFETY CODE:** Ⓜ II 2G/D c IIC X T85°C (T6) (ZONE 1-21) Explosion group IIC
- Compliance with the essential health and safety requirements has been assured with European Standards **EN 13463-1** and **EN 13463-5**
- Filter/Regulator with reinforced diaphragm with PTFE lining and all metal parts in 316L stainless steel for a standard pressure of max. 20 bar
- Built-in overpressure relieving function
- Filtering effect by centrifugation of the air and 50 microns filtering element
- Large operating temperature -40°C to +80°C
- Body, bonnet and internal parts in 316L stainless steel according to ASTM A 182/NACE MR 01.75
- Large bowl capacity

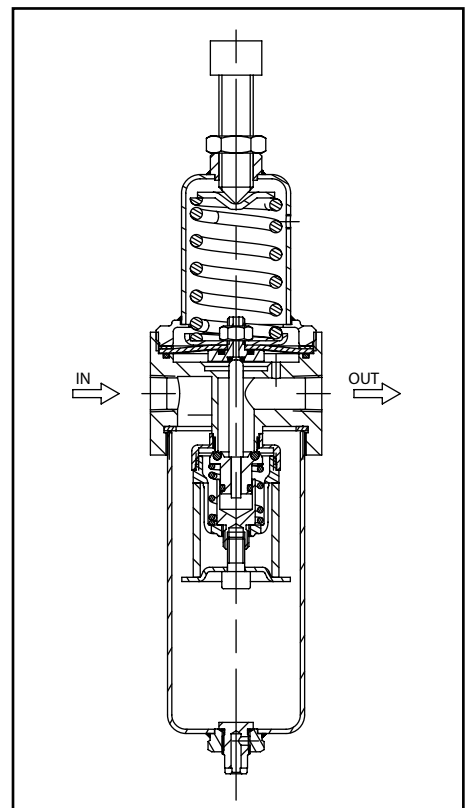
### GENERAL

<b>Fluids</b>	Compressed air and neutral gas
<b>Ports</b>	1/4 NPT and 1/2 NPT
<b>Maximum inlet pressure</b>	20 bar (16 bar for automatic drain)
<b>Adjustable pressure</b>	0,8 to 8 bar [1bar = 100 kPa]
<b>Hysteresis</b>	< 0,2 bar
<b>Filtering size</b>	50 µm
<b>Ambient temperature</b>	-40° to +80°C*
<b>Maximum flow (Qv at 6.3 bar)</b>	See specifications and charts

### CONSTRUCTION

<b>Body</b>	AISI 316L SS
<b>Bowl</b>	AISI 316L SS
<b>Filtering element</b>	AISI 316L SS
<b>Diaphragm</b>	EPDM with PTFE lining and NBR O-rings
<b>Condensate drain</b>	Manual drain
<b>Pressure adjusting screw</b>	Allen head screw with locking nut

\* -50/-55/-60°C low temperature options are available on request.



### SPECIFICATIONS

port size	type	bowl capacity	filtering capacity	adjustable pressure	maximum flow at 6,3 bar pressure setpoint and ΔP of 1 bar/setpoint		catalogue number		
							FILTER / REGULATOR		
NPT		(cl)	(µm)	(bar)	l/min. (ANR)	dm³/s (ANR)	gauge connection NPT	without pressure gauge	with 316L SS pressure gauge
<b>50 µm filtration 0,8 - 8 bar adjustment - 316L Stainless Steel</b>									
1/4	314 ST	130	50	0,8 - 8	800 <sup>(1)</sup>	14	1/4	<b>34208001</b>	<b>34208002</b>
1/2	312 ST	180	50	0,8 - 8	1500 <sup>(2)</sup>	25	1/4	<b>34208003</b>	<b>34208004</b>
<b>5 µm filtration 0,8 - 8 bar adjustment - 316L Stainless Steel</b>									
1/4	314 ST	130	5	0,8 - 8	680 <sup>(3)</sup>	14	1/4	<b>34208005</b>	<b>34208006</b>
1/2	312 ST	180	5	0,8 - 8	1275 <sup>(4)</sup>	25	1/4	<b>34208007</b>	<b>34208008</b>
<b>50 µm filtration 0,8 - 8 bar adjustment - 316L Stainless Steel - Automatic Drain</b>									
1/4	314 ST	130	50	0,8 - 8	800 <sup>(1)</sup>	14	1/4	<b>34208011</b>	<b>34208012</b>
1/2	312 ST	180	50	0,8 - 8	1500 <sup>(2)</sup>	25	1/4	<b>34208013</b>	<b>34208014</b>
<b>5 µm filtration 0,8 - 8 bar adjustment - 316L Stainless Steel - Automatic Drain</b>									
1/4	314 ST	130	5	0,8 - 8	680 <sup>(3)</sup>	14	1/4	<b>34208015</b>	<b>34208016</b>
1/2	312 ST	180	5	0,8 - 8	1275 <sup>(4)</sup>	25	1/4	<b>34208017</b>	<b>34208018</b>

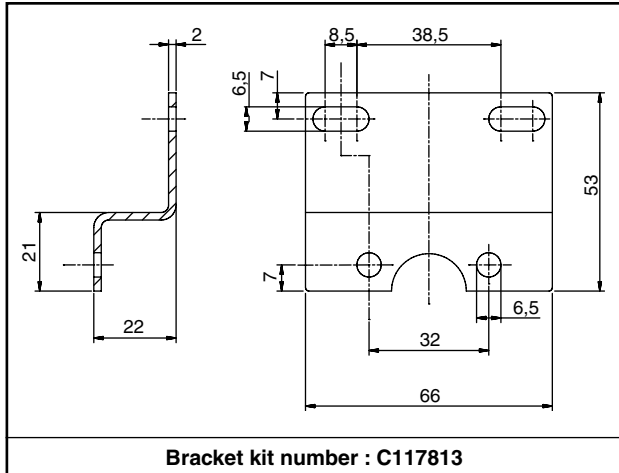
<sup>(1)</sup> KV = 0,67 [m³/h] and 11,1 [l/min]

<sup>(3)</sup> KV = 0,56 [m³/h] and 9,3 [l/min]

<sup>(2)</sup> KV = 1,25 [m³/h] and 20,8 [l/min]

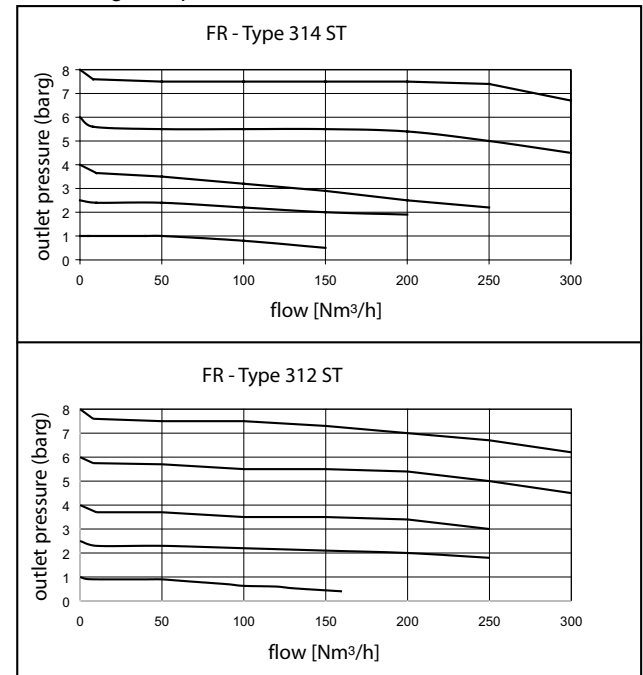
<sup>(4)</sup> KV = 1,06 [m³/h] and 17,6 [l/min]

### MOUNTING BRACKET

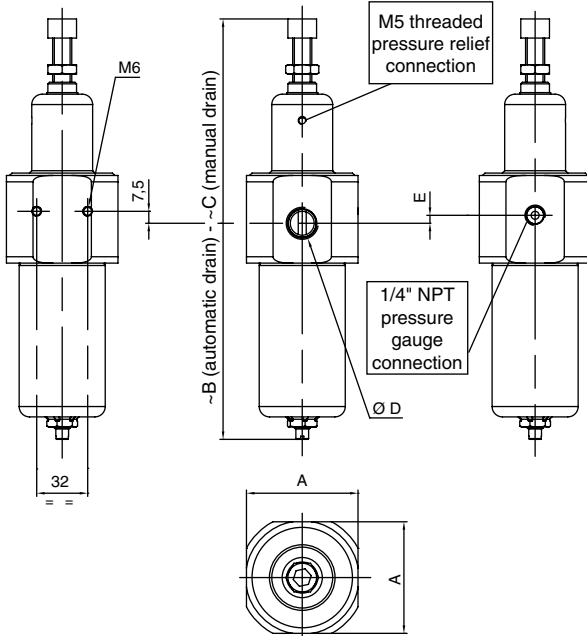


### PRESSURE DROP vs. AIR FLOW CURVE

at 20 barg inlet pressure



### DIMENSIONS (mm), WEIGHT (kg)



### OPTIONS & ACCESSORIES

spare parts kits			
catalogue number	type	filtration	kit number
34208001/002/011/012	314 ST	50 µm	C117873
34208003/004/013/014	312 ST	50 µm	C117874
34208005/006/015/016	314 ST	5 µm	C117875
34208007/008/017/018	312 ST	5 µm	C117876

catalogue number	A	B	C	ØD	E	weight
34208001/002/005/006	60	264	257	1/4	1,5	1,35 kg
34208003/004/007/008	70	270	265	1/2	5	1,90 kg
34208011/012/015/016	60	264	257	1/4	1,5	1,55 kg
34208013/014/017/018	70	270	265	1/2	5	2,10 kg

### ADDITIONAL OPTIONS

- Other pipe threads are available on request
- Threaded connections BSP or with flanges
- EPDM/FPM gaskets
- With a 5 µm filtering element the max. flow is reduced by approx. 15%
- Stainless steel pressure gauge (0-10 bar scale division), kit number: C117814. Other scale divisions on request

### INSTALLATION

- Installation/maintenance instructions are included with each filter/regulator
- Filter/Regulator must be installed with the bowl in vertical position
- Air flow direction indicated by an arrow
- Pipe connection has standard thread according to NPT (ANSI 1.20.3)