

FEATURES

- The monostable spool valves have TÜV-EXIDA certified IEC 61508 Functional Safety data and can be used up to SIL 4 (551/TÜV)-SIL 3 (553/EXIDA)
- All the exhaust ports of this spool valve are connectable, providing better environmental protection, particularly recommended for sensitive areas such as clean rooms, and applications in the pharmaceutical and food processing sectors
- The valve offers environmental protection against the ingress of liquids, dusts or any other foreign matter (environmentally-protected construction)
- Can be externally piloted (external air pilot supply) to convert valve to zero minimum operation by flipping a gasket
- The solenoid valves satisfy all relevant EC Directives

GENERAL

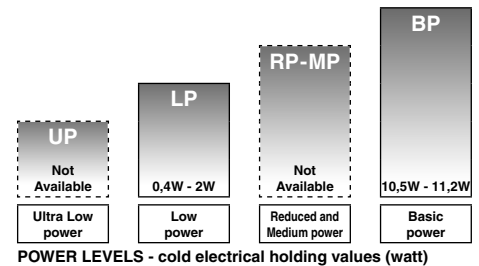
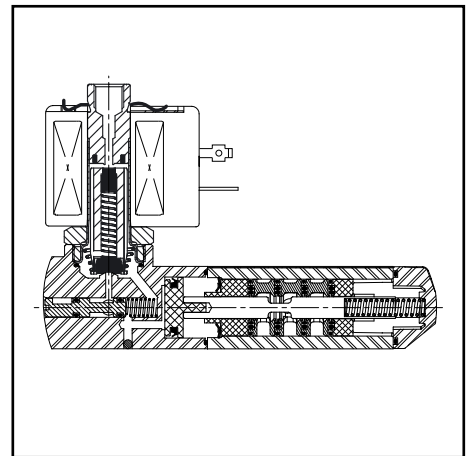
Differential pressure 2 - 10 bar [1 bar = 100 kPa]
Flow (Qv at 6 bar) 1/4 = 860 l/min (ANR)
 1/2 = 3000 l/min

| fluids (*) | temperature range (TS) | seal materials (*) |
|--------------------------|------------------------|-------------------------------------|
| air, inert gas, filtered | 551 : - 40°C to + 80°C | VMQ (silicone) + PUR (polyurethane) |
| | 553 : - 40°C to + 60°C | |

MATERIALS IN CONTACT WITH FLUID

(*) Ensure that the compatibility of the fluids in contact with the materials is verified

| | |
|----------------------------|----------------------------|
| Body, end covers | Stainless steel, AISI 316L |
| Spool valve internal parts | Stainless steel, POM |
| Core tube | Stainless steel |
| Core and plugnut | Stainless steel |
| Core spring | Stainless steel |
| Seals & discs | NBR |
| Top disc | FPM |
| Disc holder | POM |
| Cartridge (low power) | Welded, packless AISI 430 |
| Seat | Stainless steel |
| Seat insert | POM |
| Shading coil | Silver |
| Rider rings (low power) | PTFE |



SPECIFICATIONS

| pipe size | orifice size | flow coefficient kv | | operating pressure differential (bar) | | | power level | prefix optional solenoids | | | | | | | | | | basic catalogue number |
|---|--------------|---------------------|---------|---------------------------------------|-----------|----|-------------|---------------------------|--------------|------|----|----|----|------|------|----|----|------------------------|
| | | | | min. (2) | max. (PS) | | | NEMA 7 & 9 | ATEX / IECEx | | | | | IP65 | | | | |
| | | | | | air (*) | | | | EF | LPKF | NF | EM | PV | | WSLI | IS | SC | |
| (*) | (mm) | (m³/h) | (l/min) | | ~ | = | ~/= | | | | | | | | | | | |
| Solenoid air pilot operated - spring return (monostable) | | | | | | | | | | | | | | | | | | |
| 1/4 | 6 | 0,75 | 12,5 | 0 / 2 | 10 | 10 | BP | - | - | ● | ● | ● | - | - | - | - | ● | ❖551A413 (1) |
| 1/4 | 6 | 0,75 | 12,5 | 0 / 2 | 10 | 10 | BP | ● | - | - | - | - | - | - | - | - | - | ❖551G413 (1) |
| 1/4 | 6 | 0,75 | 12,5 | 0 / 2 | 10 | 10 | LP | - | ● | ● | ● | ○ | ○ | ○ | - | - | ● | ❖551A313 (1) |
| 1/4 | 6 | 0,75 | 12,5 | 0 / 2 | 10 | 10 | LP | ○ | - | - | - | - | - | - | - | - | - | ❖551G313 (1) |
| 1/2 | 13 | 3,15 | 52,5 | 0 / 2 | 10 | 10 | BP | - | - | ● | ● | ● | - | - | - | - | ● | ❖553A413 (1) |
| 1/2 | 13 | 3,15 | 52,5 | 0 / 2 | 10 | 10 | BP | ● | - | - | - | - | - | - | - | - | - | ❖553G413 (1) |
| 1/2 | 13 | 3,15 | 52,5 | 0 / 2 | 10 | 10 | LP | - | ● | ● | ● | ○ | ○ | ○ | - | - | ● | ❖553A313 (1) |
| 1/2 | 13 | 3,15 | 52,5 | 0 / 2 | 10 | 10 | LP | ○ | - | - | - | - | - | - | - | - | - | ❖553G313 (1) |
| Solenoid air pilot operated and return (bistable) | | | | | | | | | | | | | | | | | | |
| 1/4 | 6 | 0,75 | 12,5 | 0 / 2 | 10 | 10 | BP | - | - | ● | ● | ● | - | - | - | - | ● | ❖551A414 |
| 1/4 | 6 | 0,75 | 12,5 | 0 / 2 | 10 | 10 | BP | ● | - | - | - | - | - | - | - | - | - | ❖551G414 |
| 1/4 | 6 | 0,75 | 12,5 | 0 / 2 | 10 | 10 | LP | - | ● | ● | ● | ○ | ○ | ○ | - | - | ● | ❖551A314 |
| 1/4 | 6 | 0,75 | 12,5 | 0 / 2 | 10 | 10 | LP | ○ | - | - | - | - | - | - | - | - | - | ❖551G314 |
| 1/2 | 13 | 3,15 | 52,5 | 0 / 2 | 10 | 10 | BP | - | - | ● | ● | ● | - | - | - | - | ● | ❖553A414 |
| 1/2 | 13 | 3,15 | 52,5 | 0 / 2 | 10 | 10 | BP | ● | - | - | - | - | - | - | - | - | - | ❖553G414 |
| 1/2 | 13 | 3,15 | 52,5 | 0 / 2 | 10 | 10 | LP | - | ● | ● | ● | ○ | ○ | ○ | - | - | ● | ❖553A314 |
| 1/2 | 13 | 3,15 | 52,5 | 0 / 2 | 10 | 10 | LP | ○ | - | - | - | - | - | - | - | - | - | ❖553G314 |

❖ Select **B** for NPT ANSI 1.20.3 or select **G** for ISO G (228/1) ● Available feature ○ Available feature in DC only.

(1) Certified IEC 61508 Functional Safety data, use suffix "SL".

(2) Zero minimum is only achieved if external pressure is applied.

PREFIX TABLE

| prefix | | | | | | | description | power level | | | |
|--------|---|---|---|---|---|---|--|-------------|----|----|----|
| 1 | 2 | 3 | 4 | 5 | 6 | 7 | | LP | RP | MP | BP |
| E | F | | | | | | Explosionproof - NEMA 7, 9 - Zinc plated steel conduit | ○ | - | - | ● |
| E | V | | | | | | Explosionproof - NEMA 7, 9 - 316 SS conduit | ○ | - | - | ● |
| E | M | | | | | | Waterproof IP67 - Metal enclosure (EN/IEC 60079-7+18, 61241-1)* | ● | - | - | ● |
| | | E | T | | | | Threaded conduit/hole (M20 x 1,5) | ● | - | - | ● |
| I | S | | | S | C | | Intrinsically safe with SC coil (EN/IEC 60079-11+26, 61241-11)* | ○ | - | - | - |
| L | P | K | F | | | | Flameproof - Aluminium (EN/IEC 60079-1, 61241-1)* | ● | - | - | - |
| N | F | | | | | | Flameproof - Aluminium (EN/IEC 60079-1, 60079-31)* | ● | - | - | ● |
| P | V | | | | | | Encapsulated epoxy moulded (EN/IEC 60079-18, 61241-18)* | ○ | - | - | ● |
| S | C | | | | | | Solenoid with spade plug connector (EN/IEC 60730) | ● | - | - | ● |
| W | P | | | | | | Waterproof IP67 - Metal enclosure | ● | - | - | ● |
| L | I | | | | | | I.S. with Aluminium IP67 enclosure (EN/IEC 60079-11 / 61241-1)* | ○ | - | - | - |
| W | S | | | | | | Waterproof IP67 - 316 SS enclosure | ● | - | - | ● |
| W | S | L | P | K | F | | Flameproof - 316 SS (EN/IEC 60079-1, 61241-1)* | ● | - | - | - |
| W | S | E | M | | | | Waterproof IP67 - 316 SS enclosure (EN/IEC 60079-7+18, 61241-1)* | ● | - | - | ● |
| W | S | | | L | I | | I.S., 316L SS, IP67 ATEX-IECEX (EN/IEC 60079 / 61241) * | ○ | - | - | - |
| W | S | N | F | | | | Flameproof - 316 SS (EN/IEC 60079-1, 60079-31)* | ● | - | - | ● |
| | | | | | | | Threaded conduit (1/2" NPT) | ● | - | - | ● |
| | | | | H | T | | Class H - High temperature, +80°C ambient temp. | - | - | - | ● |
| | | | | | | X | Other special constructions | ● | - | - | ● |

SUFFIX TABLE

| suffix | | | | | | | description | power level | | | |
|--------|---|---|---|---|---|---|---|-------------|----|----|----|
| 1 | 2 | 3 | 4 | 5 | 6 | 7 | | LP | RP | MP | BP |
| | | | M | O | | | Push type manual operator | ○/● | - | - | ● |
| S | L | | | | | | Certified IEC 61508 Functional Safety data ⁽²⁾ | ○/● | - | - | ● |

OPTIONS & ACCESSORIES

| series | pipe size | stainless steel exhaust protector | | |
|---------|-----------|-----------------------------------|-------------------------|-------------------------|
| | | G | NPT | (M) |
| 551-553 | 1/8 | 34600418 ⁽¹⁾ | 34600482 ⁽¹⁾ | - |
| 551 | 1/4 | 34600419 ⁽¹⁾ | 34600483 ⁽¹⁾ | - |
| 553 | 1/2 | 34600479 ⁽¹⁾ | 34600479 ⁽¹⁾ | - |
| 551 | M5 | - | - | 34600484 ⁽¹⁾ |

- Available feature
- Available feature in DC only
- Not available
- * ATEX solenoids are also approved according to EN 13463-1 (non electrical valves)
- ⁽¹⁾ Provided with "SL" suffix
- ⁽²⁾ Not to use with MO suffix

ORDERING EXAMPLES:

| | | | | | |
|--------|---|-----|---|-----|-----------------|
| SC | G | 551 | A | 413 | 230V / 50 Hz |
| SC | G | 553 | A | 413 | 230V / 50 Hz |
| SC | G | 551 | A | 413 | SL 230V / 50 Hz |
| SC | G | 551 | A | 414 | MO 230V / 50 Hz |
| SCHT | 8 | 551 | A | 414 | MO 230V / 50 Hz |
| ISSC | G | 551 | A | 414 | MO 24V / DC |
| WSLPKF | G | 551 | A | 313 | MO 24V / DC |
| WSLPKF | G | 551 | A | 313 | MO 230V / 50 Hz |
| LPKF | G | 551 | A | 313 | MO 24V / DC |
| WSLI | G | 551 | A | 313 | 24V / DC |
| EM | 8 | 551 | A | 413 | MO 230V / 50 Hz |
| EF | G | 551 | G | 413 | MO 240V / 60 Hz |

prefix ⁽³⁾ — pipe thread — basic number ⁽³⁾ — voltage — suffix

⁽³⁾ Prefixes EF and EV should always be used with the letter G in the basic number.

EXPLANATION OF TEMPERATURE RANGES OF SOLENOID VALVES

- Valve temperature range The valve temperature range (TS) is determined by the selected seal material, the temperature range for proper operation of the valve and sometimes by the fluid (e.g. steam)
- Operator ambient temperature range The operator ambient temperature range is determined by the selected power level and the safety code
- Total temperature range The temperature range of the complete solenoid valve is determined by the limitations of both temperature ranges above

ELECTRICAL CHARACTERISTICS

- Coil insulation class F
- Electrical safety IEC 335
- Standard voltages DC (=) 24V - 48V
AC (~) 24V - 48V - 115V - 230V⁽⁵⁾/50Hz; other voltages and 60Hz are available on request

| prefix option | power ratings | | | | operator ambient temperature range (TS) (C°) ⁽¹⁾ | safety code | electrical enclosure protection (EN 60529) | replacement coil / kit | | type ⁽²⁾ |
|------------------------------------|---------------|---------|----------|------------------------|--|--|--|---------------------------------|------------------|---------------------|
| | inrush | holding | hot/cold | = | | | | ~ | = | |
| | (VA) | (VA) | (W) | (W) | | | | 230 V/50 Hz | 24V/DC | |
| Basic power (BP) | | | | | | | | | | |
| SC | 55 | 23 | 10,5 | 9/11,2 | -40 to +75 | EN 60730 | IP65 moulded | 400425-117 | 400425-142 | 01 |
| WP/WS | 55 | 23 | 10,5 | 9/11,2 | -40 to +75 | EN 60730 | IP67 steel/SS | 400405-117 | 400405-142 | 04 |
| NF/WSNF | 55 | 23 | 10,5 | - | (-60) ⁽⁷⁾ -40 to +25/40/60 | II2G Ex d IIC T6/T5/T4, II2D Ex t | IP67 alu./SS | 400405-117 | - | 02 |
| NF/WSNF | - | - | - | 9/11,2 | (-60) ⁽⁷⁾ -40 to +40/60/75 | II2G Ex d IIC T6/T5/T4, II2D Ex t | IP67 alu./SS | - | 400405-142 | 02 |
| EM/WSEM | 55 | 23 | 10,5 | 9/11,2 | -40 to +40 | II2G Ex e mb II T3, II2D Ex tD | IP67 steel/SS | 400909-117 | 400913-142 | 04 |
| PV | 55 | 23 | 10,5 | 9/11,2 | -40 to +65 | II2G Ex mb II T3(-)/T4(=), II2D Ex mD 21 | IP67 moulded | - ⁽⁴⁾ | - ⁽⁴⁾ | 05 |
| EF/EV | 55 | 23 | 10,5 | 9/11,2 | -40 to +54/40 | NEMA type 7 and 9 | NEMA 4X | 238614-058 | 238714-006 | 06 |
| Low power (LP) | | | | | | | | | | |
| SC | 1,5 | 1,5 | 1,5 | 1,7/1,7 | -40 to +60 | EN 60730 | IP65 moulded | 400925-097 | 400925-042 | 07 |
| WP/WS | 1,5 | 1,5 | 1,5 | 1,7/1,7 | -40 to +60 | EN 60730 | IP67 steel/SS | 400926-097 | 400926-042 | 09 |
| LPKF/WSLPKF ⁽⁸⁾ | 2,4 | 2,4 | 2,4 | 0,5/0,5 ⁽⁸⁾ | -40 to +80/60 | II2G Ex d IIB+H2 Gb T4/T6, II2D Ex t Db | IP67 alu./SS | - ⁽⁴⁾ | - ⁽⁴⁾ | 13 |
| NF/WSNF | - | - | 1,9 | - /1,9 | (-60) ⁽⁷⁾ -40 to +75/80 | II2G Ex d IIC T6/T5, II2D Ex t | IP67 alu./SS | - ⁽⁴⁾ ⁽⁵⁾ | - ⁽⁴⁾ | 08 |
| EM/WSEM | 1,5 | 1,5 | 1,5 | 1,7/1,7 | -40 to +40/55 | II2G Ex e mb II T6/T5, II2D Ex tD | IP67 steel/SS | - ⁽⁴⁾ | - ⁽⁴⁾ | 09 |
| PV | - | - | - | 1,7/1,7 | -40 to +65 | II2G Ex mb II T6 / II2D Ex mD 21 | IP67 moulded | - | - ⁽⁴⁾ | 10 |
| EF/EV | - | - | - | 1,7/1,7 | -40 to +60 | NEMA type 7 and 9 | NEMA 4X | - | - ⁽⁴⁾ | 11 |
| ISSC ⁽³⁾ | - | - | - | 0,4/0,4 | -40 to +60 | II1G Ex ia IIC T6, II2D Ex iaD 21 | IP65 moulded | - | 268976-001 | 12 |
| LI ⁽³⁾ ⁽⁶⁾ | - | - | - | 0,5/0,5 | -40 to +60 | II1G Ex ia IIC T6 Ga, II2D Ex t IIIC Db ⁽⁶⁾ | IP67 alu., | - | - ⁽⁴⁾ | 14 |
| WSLI ⁽³⁾ ⁽⁶⁾ | - | - | - | 0,5/0,5 | -40 to +60 | II1G Ex ia IIC Ga T6, II2D Ex t IIIC Db | IP67 SS | - | - ⁽⁴⁾ | 14 |

| prefix option | safety parameters | | | | |
|-----------------------|------------------------------|------------------------|-----------------------|-----------------------|------------------------|
| | U _i = (DC) (V) | I _i (mA) | P _i (W) | L _i (H) | C _i (µF) |
| Low power (LP) | | | | | |
| ISSC | 32 | 500 | 1,5 | 0 | 0 |
| LI/WSLI | 32 | 500 | 1,5 | 0 | 0 |

- ⁽¹⁾ Temperature range can be limited by sealings
- ⁽²⁾ Refer to the dimensional drawings on pages: 4 to 7
- ⁽³⁾ ISSC/LI/WSLI: Check the electrical characteristics in the corresponding catalogue pages
- ⁽⁴⁾ Multiple coil kits are available under ATEX/IECEX, contact us
- ⁽⁵⁾ (WS)NF: Low Power, 230 V AC does not exist. Maximum voltage in AC is 115 V
- ⁽⁶⁾ LI/WSLI: Low Power, 24 V DC only (LI: For use in zone 0 locations, see the installation conditions given in the I&M instructions)
- ⁽⁷⁾ The certified minimum temperature of this operator
- ⁽⁸⁾ LPKF/WSLPKF: 24 V DC, max. ambient temp. +80°C, contact us (48 V DC = 2,1 W)
- Not available

ELECTRICAL CONNECTIONS

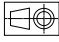
| prefix | connection |
|------------------------|---|
| SC, ISSC | Spade plug connector with cable gland EN175301-803A (ISO 4400) for cables with an outer diameter from 6 to 10 mm |
| WP, WS, EM, WSEM | M20 cable gland for cables with an outer diameter from 7 to 12 mm. With an internal and external facility for an earthing or bonding conductor |
| NF, WSNF, LPKF, WSLPKF | 1/2" NPT threaded cable entry. Enclosures are supplied without cable gland |
| PV | Moulded-in cable, standard length 2 m |
| LI, WSLI | 1/2" NPT cable gland for cables with an outer diameter from 7 to 12 mm. With an internal and external facility for an earthing or bonding conductor |
| EF, EV | 1/2" NPT conduits, standard length 35 cm |

ADDITIONAL OPTIONS

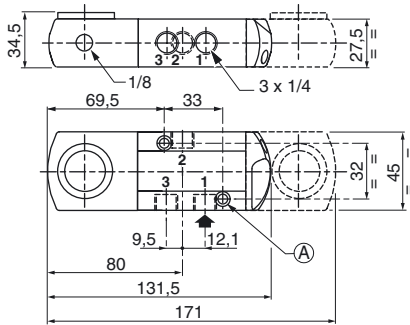
- Valves configured for external pilot air supply, TPL 20547
- Other pipe threads are available on request
- Ex mb/mD (prefix "PV") solenoid can be supplied with various cable lengths
- Compliance with "UL", "CSA" and other local approvals available on request
- 1/2" NPT (prefix "T") and M20 x 1.5 (prefix "ET") conduits (aluminium or 316 SS) available for steel solenoid housing

INSTALLATION

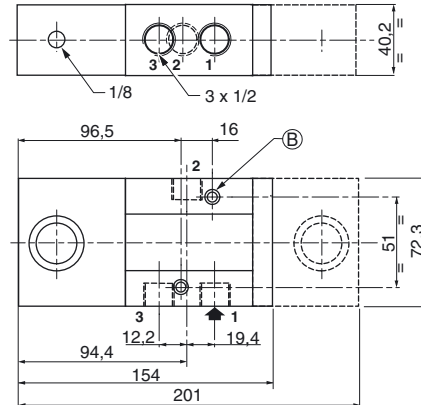
- Multi language installation/maintenance instructions are included with each valve
- The solenoid valves can be mounted in any position without affecting operation
- Do not connect the pressure supply to the exhaust port 3. The "environmentally-protected" construction is not adapted for a "distributing" function or use in NO function. Contact us for functions available in specific versions
- IEC 61508 Functional Safety (suffix SL), allowable temperature range: -40°C to +60°C. For probability of failure, contact us
- It is necessary to connect pipes or fittings to the exhaust ports to protect the internal parts of the spool valve and its pneumatic operator if used outside or in harsh environments (dusts, liquids etc.)
- Threaded pipe connection identifier is: 8 = NPT (ANSI 1.20.3); G = G (ISO 228/1)
- Prefix "NF/WSNF" enclosure is provided with a 1/2" NPT threaded entry hole, M20 x 1,5 (prefix "ET") is optional. Both are supplied without cable gland

DIMENSIONS (mm), WEIGHT (kg) 

551 Series



553 Series



2 mounting holes

- (A) 5.3 mm dia.; Spotfacing: 9 mm dia., depth 5 mm
- (B) 6.5 mm dia.; Spotfacing: 11 mm dia., depth 6 mm



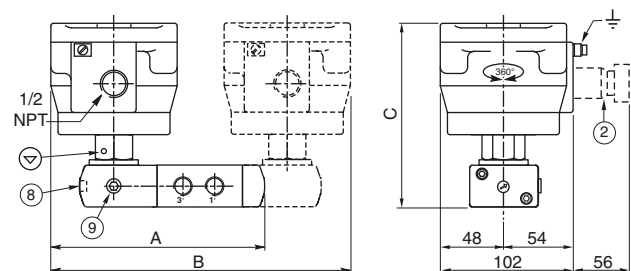
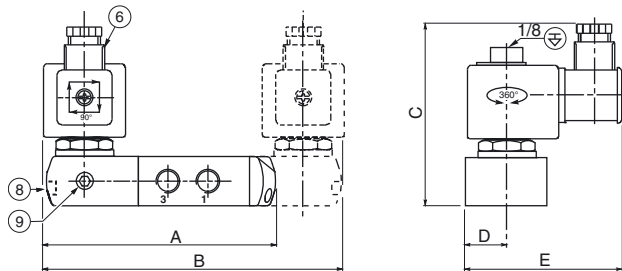
TYPE 01:
SC
Epoxy moulded
IEC 335 / ISO 440

551A413 / 551A414 / 553A413 / 553A414



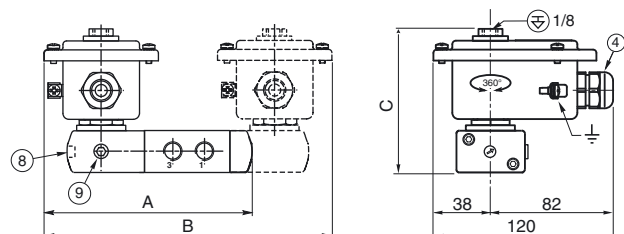
TYPE 02:
NF / WSNF
Aluminium; epoxy coated / AISI 316 SS
EN/IEC 60079-1 and EN/IEC 60079-31

551A413 / 551A414 / 553A413 / 553A414



TYPE 04:
WP / WS
EM / WSEM
Steel; epoxy coated / AISI 316 SS
IEC 335 / EN 60079-7/18 and EN 61241-1

551A413 / 551A414 / 553A413 / 553A414

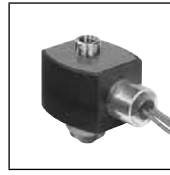
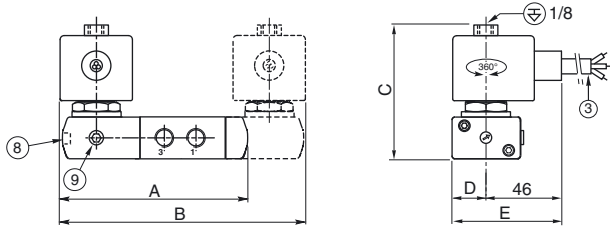


DIMENSIONS (mm), WEIGHT (kg)



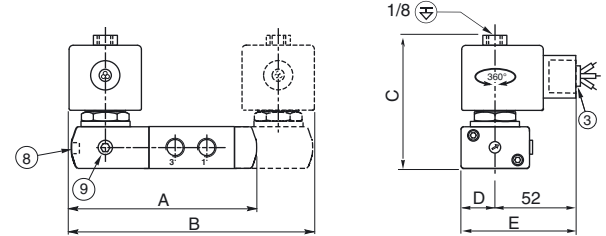
TYPE 05:
PV
Epoxy encapsulated
EN/IEC 60079-18 and EN/IEC 61241-18

551A413 / 551A414 / 553A413 / 553A414



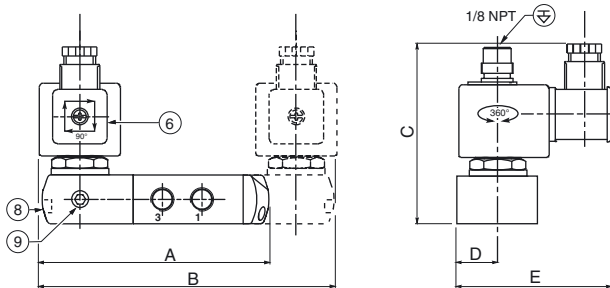
TYPE 06:
EF and EV: NEMA type 7 and 9
Epoxy encapsulated
ICS-6 ANSI
NOTE: applicable to solenoid only

551G413 / 551G414 / 553G413 / 553G414



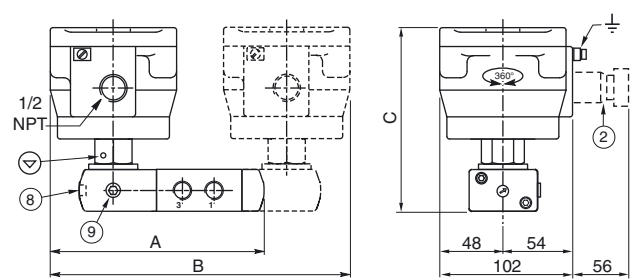
TYPE 07:
SC
Epoxy moulded
IEC 335 / ISO 4400

551A313 / 551A314 / 553A313 / 553A314



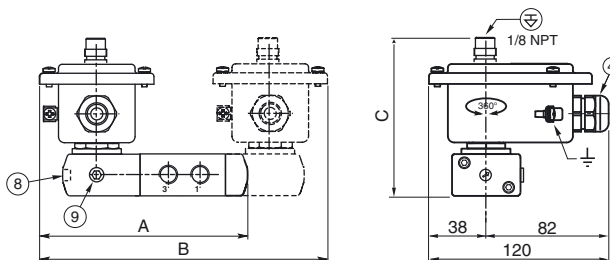
TYPE 08:
NF / WSNF
Aluminium; epoxy coated / AISI 316 SS
EN/IEC 60079-1 and EN/IEC 60079-31

551A313 / 551A314 / 553A313 / 553A314



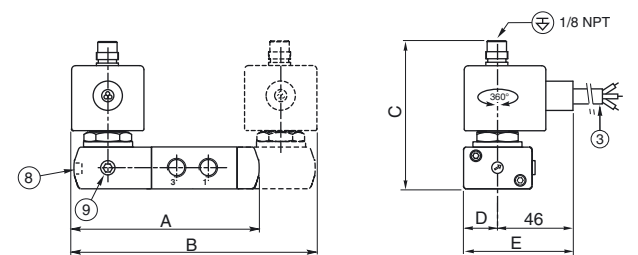
TYPE 09:
WP / WS
EM / WSEM
Steel; epoxy coated / AISI 316 SS
IEC 335/EN 60079-7/18 and EN 61241-1

551A313 / 551A314 / 553A313 / 553A314



TYPE 10:
PV
Epoxy encapsulated
EN/IEC 60079-18 and EN/IEC 61241-18

551A313 / 551A314 / 553A313 / 553A314

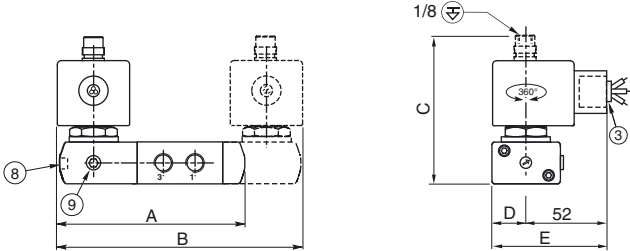


DIMENSIONS (mm), WEIGHT (kg)



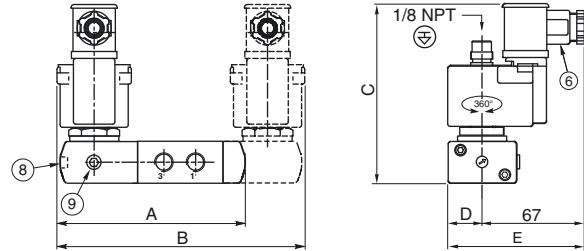
TYPE 11:
 EF and EV: NEMA type 7 and 9
 Epoxy encapsulated
 ICS-6 ANSI
 NOTE: applicable to solenoid only

551G313 / 551G314 / 553G313 / 553G314



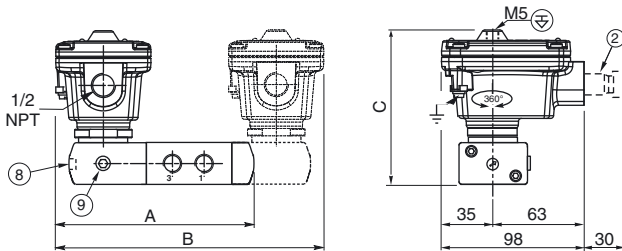
TYPE 12:
 ISSC
 Polypropylene moulded
 Epoxy moulded
 IEC 335/EN 60079-11/26 and EN/IEC 61241-11

551A313 / 551A314 / 553A313 / 553A314



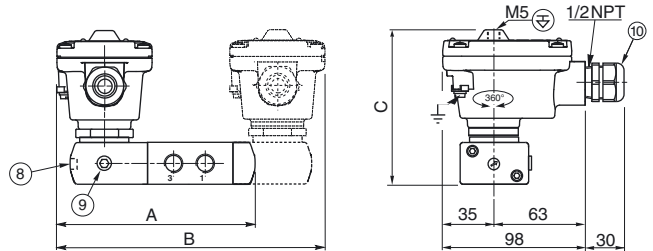
TYPE 13:
 LPKF / WSLPKF
 Aluminium, cataphoresis black painting / AISI 316L SS
 EN/IEC 60079-1 and EN/IEC 61241-1

551A313 / 551A314 / 553A313 / 553A314



TYPE 14:
 LI / WSLI
 Aluminium, cataphoresis black painting / AISI 316L SS
 IEC and EN: 60079-11, 61241-1

551A313 / 551A314 / 553A313 / 553A314



DIMENSIONS (mm), WEIGHT (kg)

| type | prefix option | power level | 551 | | | | | 553 | | | | | weight ⁽¹⁾ | | | |
|------|---------------------|-------------|-----|-----|-----|------|------|-------|-------|-------|------|-------|-----------------------|------|----------|------|
| | | | A | B | C | D | E | A | B | C | D | E | monostable | | bistable | |
| | | | | | | | | | | | | | 551 | 553 | 551 | 553 |
| 01 | SC | basic power | 132 | 172 | 103 | 22,5 | 86,5 | 154 | 201 | 108,4 | 36,5 | 101 | 1,19 | 2,68 | 1,95 | 4,01 |
| 02 | NF | basic power | 158 | 224 | 142 | - | - | 198,8 | 290,6 | 147,5 | - | - | 2,34 | 3,83 | 4,05 | 6,11 |
| 02 | WSNF | basic power | 158 | 224 | 142 | - | - | 198,8 | 290,6 | 147,5 | - | - | 3,64 | 5,14 | 6,65 | 8,71 |
| 04 | WP / WS / EM / WSEM | basic power | 148 | 204 | 103 | - | - | 170,7 | 234,3 | 108,7 | - | - | 1,62 | 3,12 | 2,61 | 4,66 |
| 05 | PV | basic power | 132 | 172 | 88 | 22,5 | 68,5 | 154 | 201 | 93,7 | 36,5 | 82,5 | 1,29 | 2,78 | 1,95 | 4,01 |
| 06 | EF / EV | basic power | 133 | 173 | 86 | 22,5 | 74,5 | 157,5 | 208 | 91,2 | 36,5 | 88,5 | 1,29 | 2,78 | 1,95 | 4,01 |
| 07 | SC | low power | 133 | 173 | 102 | 22,5 | 88,0 | 155 | 203 | 107,2 | 36,5 | 102 | 1,19 | 2,68 | 1,95 | 4,01 |
| 08 | NF | low power | 158 | 224 | 142 | - | - | 198,8 | 290,5 | 147,5 | - | - | 2,34 | 3,83 | 4,05 | 6,11 |
| 08 | WSNF | low power | 158 | 224 | 142 | - | - | 198,8 | 290,5 | 147,5 | - | - | 3,64 | 5,14 | 6,65 | 8,71 |
| 09 | WP / WS / EM / WSEM | low power | 148 | 204 | 102 | - | - | 170,7 | 234,3 | 107,9 | - | - | 1,62 | 3,12 | 2,61 | 4,66 |
| 10 | PV | low power | 132 | 172 | 101 | 22,5 | 68,5 | 154 | 201 | 106,2 | 36,5 | 82,5 | 1,29 | 2,78 | 1,95 | 4,01 |
| 11 | EF / EV | low power | 133 | 173 | 101 | 22,5 | 74,5 | 157,5 | 208 | 106,2 | 36,5 | 88,5 | 1,29 | 2,78 | 1,95 | 4,01 |
| 12 | ISSC | low power | 134 | 175 | 125 | 22,5 | 89,5 | 156,5 | 206 | 130,2 | 36,5 | 103,5 | 1,29 | 2,78 | 2,15 | 4,01 |
| 13 | LPKF | low power | 141 | 192 | 113 | - | - | 166 | 225 | 118,7 | - | - | 1,33 | 4,10 | 2,23 | 4,31 |
| 13 | WSLPKF | low power | 141 | 192 | 113 | - | - | 166 | 225 | 118,7 | - | - | 1,94 | 2,77 | 3,43 | 5,38 |
| 14 | LI | low power | 141 | 192 | 113 | - | - | 166 | 225 | 118,7 | - | - | 1,34 | 4,11 | 2,24 | 4,32 |
| 14 | WSLI | low power | 141 | 192 | 113 | - | - | 166 | 225 | 118,7 | - | - | 1,95 | 2,78 | 3,44 | 5,39 |

⁽¹⁾ Incl. coil(s) and connector(s)

- ② Ex d certified cable gland (on request)
- ③ Three-core cable, length 2 m
- ④ Cable gland for unarmoured cable with 7 to 12 mm dia. sheath
- ⑥ Connector rotatable by 90° increments (cable Ø 6 - 10 mm)
- ⑧ Manual operator location, suffix MO
- ⑨ External pilot air supply, 1/8 pipe size
- ⑩ Cable gland for unarmoured cable with 7 to 12 mm dia. sheath
- ⊕ Connectable pilot exhaust port
- ⊖ Non-connectable pilot exhaust port

ACCESSORIES

