

# Maxseal Solenoid Operated Valves



ICO4S  
1/4" 3/2  
207B  
AUTO



- Typical Applications
- 1/4" 3/2 AUTOMATIC
- Actuator Control
- Direct Acting Shut Off Valve
- Oil & Gas Applications
- Turbine Fuel Control

## Thompson Valves Ltd

- Description
- Model: ICO4S 1/4" 3/2 Uni Direct Acting Solenoid Valve
- High Pressure
- Max Inlet Pressure 207 bar (3000 psi)
- Reliable and long life, ideal for a one time installation
- Control of pneumatic or hydraulic operated equipment

<input type="checkbox"/> Standard Features	<input type="checkbox"/> ICO4S 1/4" 3/2 207B AUTO
<input type="checkbox"/> Solenoid Materials of Construction	<input type="checkbox"/> Solenoid Pot - Stainless Steel - BFC 316 <input type="checkbox"/> Top Cover - Stainless Steel- BFC 316 <input type="checkbox"/> Valve Body & Trim Materials - 316 Stainless Steel <input type="checkbox"/> O-Rings Seals - High Nitrile (NBR) <input type="checkbox"/> Seats - Nylon 66 <input type="checkbox"/> Coil Insulation - Class H
<input type="checkbox"/> Maximum Inlet Pressure	<input type="checkbox"/> 207 Bar (3000 PSI)
<input type="checkbox"/> Flow Rates	<input type="checkbox"/> $C_v = 0.28$ USgpm for 1 psi $\Delta p$ <input type="checkbox"/> $K_v = 4.03$ l/min for 1 bar $\Delta p$
<input type="checkbox"/> Temperature Ratings	<input type="checkbox"/> Media (Min/Max -20°C/90°C) - Ambient (Min/Max 0°C/60°C)
<input type="checkbox"/> Valve Size	<input type="checkbox"/> 1/4" Poppet Valve
<input type="checkbox"/> Process Connections	<input type="checkbox"/> 1/4" NPT
<input type="checkbox"/> Conduit Connection	<input type="checkbox"/> M20 x 1.5 Conduit Thread
<input type="checkbox"/> Media	<input type="checkbox"/> Liquid & Gases
<input type="checkbox"/> Weight	<input type="checkbox"/> 5.5 Kg

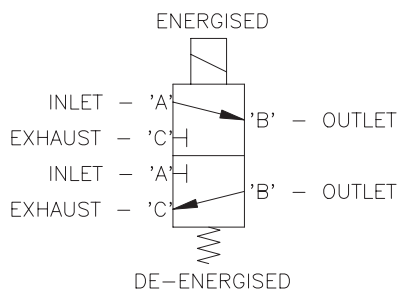
<input type="checkbox"/> Recommended Spares Kits		
<input type="checkbox"/> Soft Spares (O-rings, Springs etc)	<input type="checkbox"/> Standard & Extreme Service <input type="checkbox"/> Low Temperature valves	Y163A010000-SS See Valve Data Sheet
<input type="checkbox"/> Spare Coil Assembly	<input type="checkbox"/> Standard 24V DC (9.6 WATTS) <input type="checkbox"/> Other Variations	Y163A0101B0 See Valve Data Sheet

<input type="checkbox"/> Options	
<input type="checkbox"/> High Temperature Options	<input type="checkbox"/> High Temperature Spacer (Max Med/Amb 120°C/60°C) Please Call for Dimensions
<input type="checkbox"/> Process Connections	<input type="checkbox"/> Thread - 1/4" BSPP
<input type="checkbox"/> Conduit Connection	<input type="checkbox"/> 1/2" NPT
<input type="checkbox"/> Extreme Service	<input type="checkbox"/> Increased Power Consumption
<input type="checkbox"/> Product lead time	<input type="checkbox"/> Y163AA1J1BS - 1 WEEK (SUBJECT TO QUANTITIES) <input type="checkbox"/> Other Variations - Please call for possible delivery dates

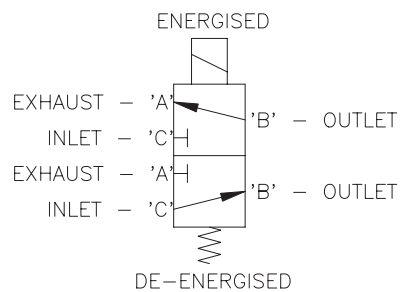
**Technical Specification**

<b>Pressures</b>	
Test (Proof) Pressure	<input type="checkbox"/> 310 bar (4500 PSI)
Maximum Inlet Pressure	<input type="checkbox"/> 207 Bar (3000 PSI)
<b>ATEX Classification</b>	
ATEX Certificate	<input type="checkbox"/> Complies with ATEX Directive 94/9/EC
ATEX Certificate	<input type="checkbox"/> SIRA 00ATEX1147
<b>Certification</b>	
	<input type="checkbox"/> II 2G
	<input type="checkbox"/> EExd IIC T6 (T <sub>a</sub> = -60°C to + 48°C) or
	<input type="checkbox"/> EExd IIC T4 (T <sub>a</sub> = -60°C to + 90°C)
<b>IECEX</b>	
	<input type="checkbox"/> IECEX BAS 04.0019
	<input type="checkbox"/> EExd IIC T6 (T <sub>a</sub> = -40°C to + 60°C) or
	<input type="checkbox"/> EExd IIC T4 (T <sub>a</sub> = -40°C to + 90°C)
<b>GOST 'K'</b>	
	<input type="checkbox"/> EExd IIC T6 (T <sub>a</sub> = -40°C to + 60°C)
<b>GOST 'R'</b>	
	<input type="checkbox"/> EExd IIC T6 (T <sub>a</sub> = -40°C to + 60°C)
<b>Safety Integrity Level</b>	
	<input type="checkbox"/> Suitable for SIL 3 Application in Simplex Mode
	<input type="checkbox"/> Suitable for SIL 4 Application in Duplex Mode
<b>Ingress Protection</b>	
	<input type="checkbox"/> IP66/X8, NEMA 4X
<b>Voltage Surge Protection</b>	
	<input type="checkbox"/> Surge Suppression Diodes
<b>Coil Insulation</b>	
	<input type="checkbox"/> Class H
<b>Performance</b>	
Pull-in Voltage	<input type="checkbox"/> 87.5% of Nominal
<b>Response Times</b>	
	<input type="checkbox"/> Pull-In <150ms
	<input type="checkbox"/> Drop-Out <80ms
<b>Electromagnetic Compability (EMC)</b>	
	<input type="checkbox"/> EN50081-2/82-1

**Valve Symbol**



VALVE SYMBOL FOR  
ENERGISE TO OPEN  
(DE-ENERGISED TO CLOSE)  
(NORMALLY CLOSED)



VALVE SYMBOL FOR  
ENERGISE TO CLOSE  
(DE-ENERGISED TO OPEN)  
(NORMALLY OPEN)

**Ordering Information**

Model	Operating Pressure	Port Config.	Operation	Process Connection	Seat/Seal Materials	Conduit Connection	Voltage	Body/Trim Materials
Y1	6	3	A	A1	J	1	B	S
ICO4S	0-207 Barg (3000 psi)	3/2 UNIVERSAL	Automatic	A1	J	1	A 18/33V DC	S 316 SS / 316 SS
				1/4" NPT	Nylon / High Nitrile	M20x1.5	B 24V DC	
				E1	K	2	C 50V DC	
				1/4" BSPP	Nylon / Viton®	1/2" NPT	D 110V DC	
							E 125V DC	
							G 25V AC	
							J 110V AC	
			M 240V AC					

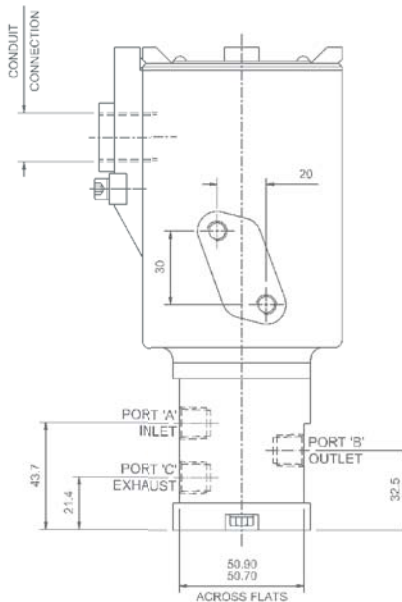
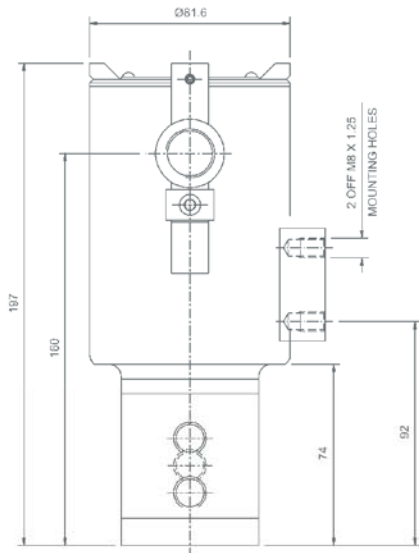
**Ordering Example**

Y1	6	3	A	A1	J	1	B	S
ICO4S	0-207 Barg (3000 psi)	3/2 UNI	Auto	1/4" NPT	Nylon / High Nitrile	M20 x 1.5	24V DC	316 SS / 316 SS

**Power Consumption (At Nominal)**

DC Standard		AC Standard		Extreme Service	
18 / 33V DC (24V DC)	9.6 W	25V AC	13.3 W	24V DC	15.1 W
24V DC	9.6 W	110V AC	7.6 W	Others Available	
50V DC	10.6 W	240V AC	9.3 W		
110V DC	11.7 W				
125V DC	10.4 W				

**Profile and Dimensions mm**



1. Valve is energised  
Valve 'changes over'  
  
Flow occurs between  
ports 'A' & 'B'
2. Valve is de-energised  
Valve resets  
  
Flow occurs between  
ports 'C' & 'B'

Thompson Valves reserves the right to amend product specifications or designs without notice. Information is given in good faith and no liability can be accepted for error or omission. Viton® is a registered trademark of DuPont Performance Elastomers.

Thompson Valves, 17 Balena Close, Creekmoor, Poole, Dorset BH17 7EF, ENGLAND  
Tel +44 (0)1202 647331 Fax +44 (0)1202 647302 Email maxseal@thompson-valves.com  
www.thompson-valves.com A fluid controls business of IMI plc